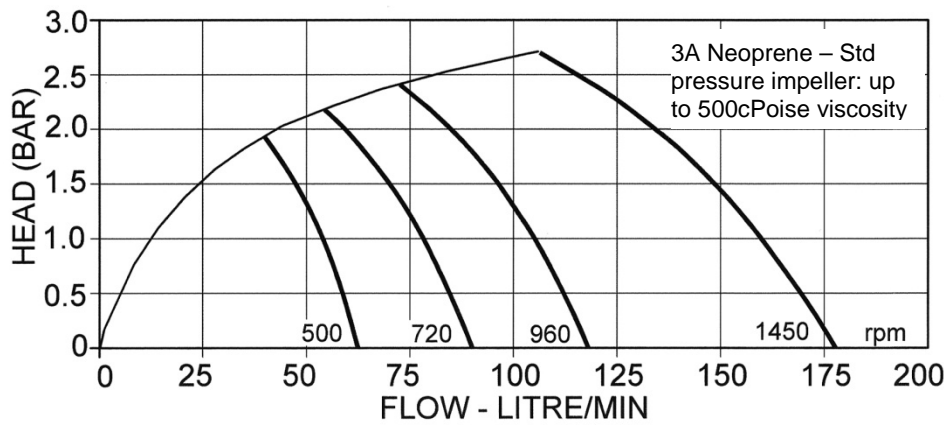


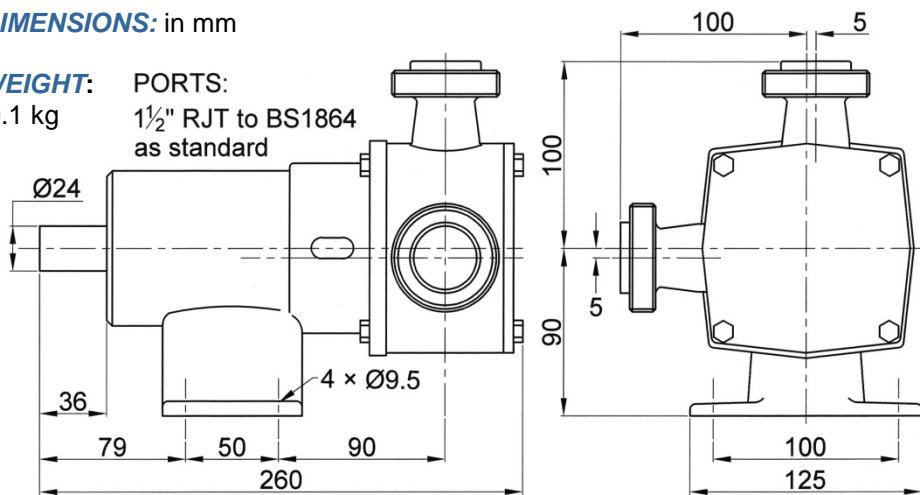
**PUMP PERFORMANCE:**



**DIMENSIONS:** in mm

**WEIGHT:** 9.1 kg

**PORTS:** 1½" RJT to BS1864 as standard



**PORT TYPE:** 1½" RJT to BS1864 standard

**Other hygienic ports available:-** Tri-clamp, IDF/ISS, 3A Bevel seat, DIN 11851, and SMS 1145

**IMPELLER TEMPERATURE RANGE:**

MATERIAL	PRESSURE	TEMP °C
3A Neoprene	STANDARD	4 - 65
EPDM	STANDARD	4 - 90
3A Neoprene	HIGH	4 - 65
EPDM	HIGH	4 - 90

**OTHER SPECIFICATIONS:**

<b>SEAL OPTIONS</b>	Carbon / Ceramic mechanical face seal (standard). Tungsten carbide / ceramic hard faced seal Flushed options for crystallising fluids
<b>SEAL ELASTOMER</b>	Food grade nitrile
<b>PUMP HEAD</b>	Stainless steel 316, machined interior and electro polished exterior finish
<b>END COVER</b>	Stainless steel 316 grade
<b>SHAFT</b>	Stainless steel 316 grade
<b>BEARINGS</b>	Greased ball bearings
<b>BEARING HOUSING</b>	Epoxy coated cast iron



a xylem brand

**28400 SERIES**  
**HYGIENIC STAINLESS**  
**STEEL PEDESTAL PUMP**  
**200 size**



- \* Self primes from dry up to 5.0 metres
- \* Flows up to 176 litres per minute
- \* Pressure up to 4.0 bar
- \* Handles soft solids - max. 16mm diameter
- \* FDA Materials Certified
- \* Clean-In-Place (CIP) or easy strip clean
- \* Handles viscosities up to 50,000 centiPoise
- \* Minimal shear to thixotropic fluids

Xylem Water Solutions UK Ltd  
Bingley Road  
Hoddesdon  
Hertfordshire • EN11 0BU • UK

Telephone: +44 (0)1462 480380  
Fax: +44 (0)1462 482422  
mail@cleghorn.co.uk  
www.jabscoshop.com

